

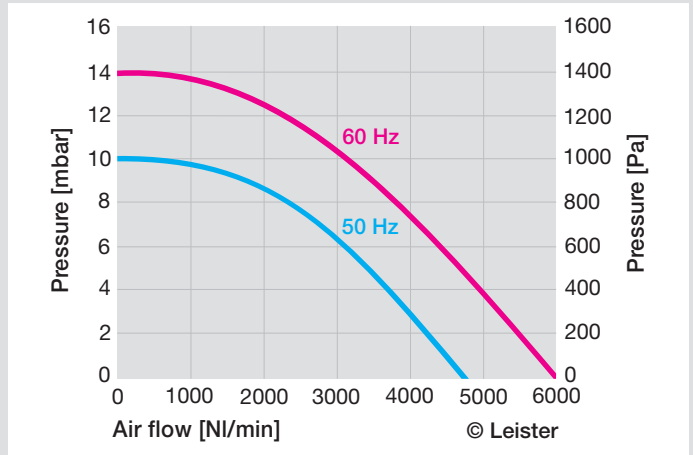
SILENCE: The quieter option.

No blower no air! In industrial processes a blower often supplies several air heaters in parallel. It excels through its high power and compact design. The durable and maintenance-free blowers are a result of uncompromising quality standards and decades of experience.

The mid-range blower SILENCE is very quiet in operation at 61 dB(A). It delivers high air flows and can be installed in all orientations.

Medium pressure blower

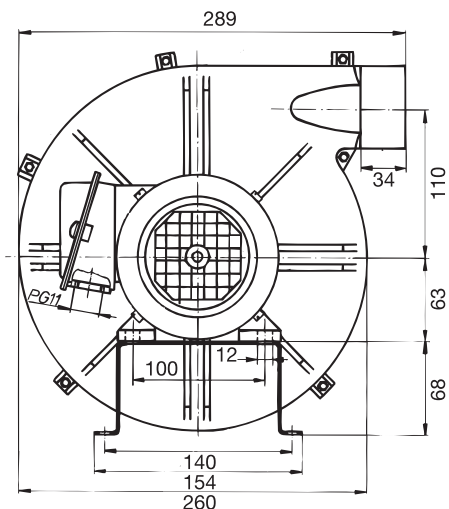
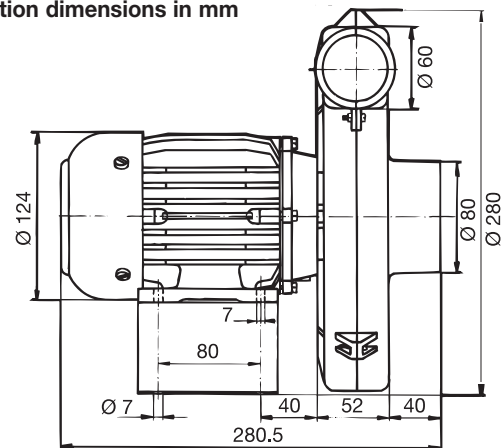
SILENCE



Technical data

Design radial blower			
Frequency	Hz	50	60
Air flow (20 °C)	l/min	4700	6000
Static pressure	Pa	1000	1400
Max. ambient temperature	°C	60	60
Noise emission level	LpA (dB)	61	61
Environmental protection (IEC 60529)		IP 54	IP 54
Outside diameter air inlet	mm	Ø 80	Ø 80
Outside diameter air outlet	mm	Ø 60	Ø 60
Weight	kg	9.0	9.0
Mark of conformity		CE	CE
Protection classe I		⊕	⊕

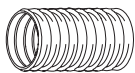


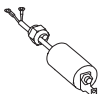


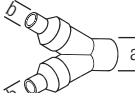
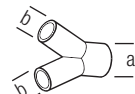
Installation dimensions in mm



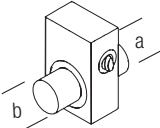
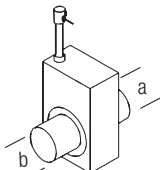
Voltage	V~ 50Hz 60Hz	1 x 230	3 x 230 / 400 3 x 440 - 480	3 x 500
Power consumption	W	250	250	250
Without cable	Order no.		103.507	103.513
3 m cable / Euro plug	Order no.	103.510		

Additional versions on request

Accessories Medium pressure blower SILENCE
(Ø 60 mm)

107.288		PVC air hose Ø 60 mm
107.287		Hose clip for Ø 60 mm air hose
107.240		Closing cap Ø 60 mm attachable to hose connection adaptor 107.238 and 107.278
107.294		Stainless steel filter, push-fit on air intake
110.887		Motor capacitor 230 V
107.291		Hose connection adaptor with 1 air outlet for Ø 38 mm hose. Push-fit on air outlet a = 38 mm, b = 60 mm
107.278		Hose connection adaptor, Push-fit on air outlet a = 60 mm, b = 60 mm
107.292		Hose connection adaptor with 2 air outlets for Ø 38 mm hose. Push-fit on air outlet a = 60 mm, b = 38 mm
107.293		Hose connection adaptor, Push-fit on adaptor 107.292 a = 38 mm, b = 38 mm

Air flow adjuster and on/off switch

107.295		Hand operated air flow adjuster and on/off switch. Size 214 × 88 × 133 mm a = 62 mm, b = 60 mm
		> SILENCE
107.296		Air flow off/on switch The air flow is interrupted on command (pneumatic 5 bar) to the heaters. Siz 214 × 88 × 133 mm a = 62 mm, b = 60 mm
		> SILENCE

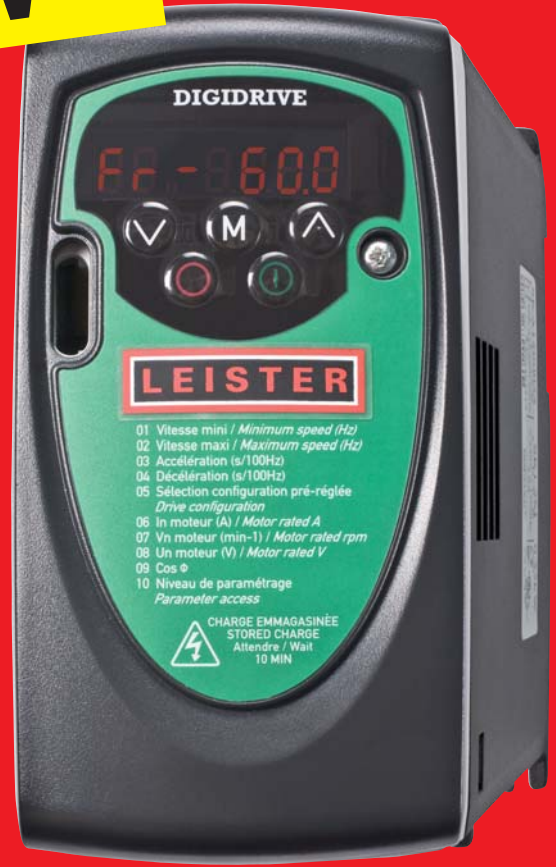
Special nozzles on request

If using non-Leister blowers, compressors and accessories no guarantee can be given by us

LEISTER

PROCESS HEAT

NEW



Frequency converter
for Leister blowers.

More power,
variable air volume,
controllable via
remote control.



SILENCE

ROBUST

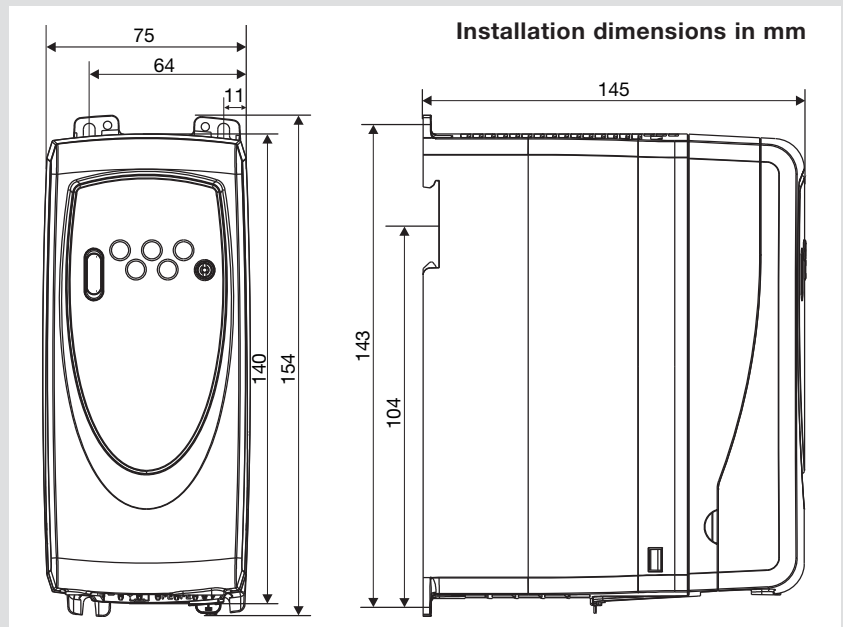
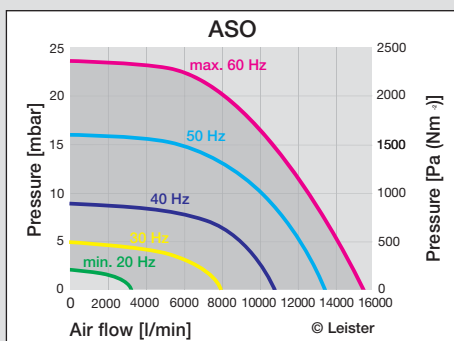
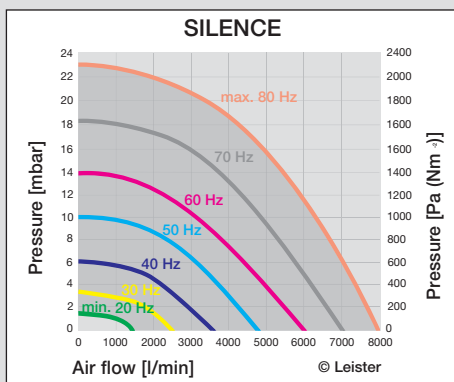
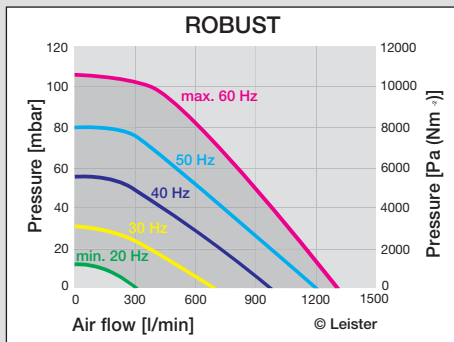


ASO



Benefit of frequency converter with Leister blowers

- Better hot air processes** Because air volume and heating performance can be set independently, precisely and reproducibly from each other.
- Up to 60% higher blower performance** Because the frequency converter lets the blower turn faster than the mains frequency (see diagram below).
- Lower system costs** Smaller and cheaper blowers can be used or fewer blowers will be necessary, because multiple air heaters can be connected to a blower.
- Easy to integrate in the controller** By the remote control interface 4-20mA/0-10V or by fixed set values (up to 4) via clamp contacts.
- Air supply controller** Active braking function enables quick air volume changes, i.e. for timed systems.
- Save energy – heat only when necessary** There are timed processes, where hot air is necessary within a clearly defined time window. For the rest of the time, the air volume can be minimised and the heating performance switched off.
- Simple plug & play installation** The frequency converter is already configured for operation with Leister blowers.
- Secure** Integrated current monitoring and a built-in motor protection switch protect the blower.
- Elimination of the motor condensator** This function is already integrated in the frequency converter.



Technical Data

Input voltage	V~	1 × 200 – 240 VAC
Max. blower rated power	W	550
Frequency	Hz	50 / 60
Typical input current at full load	A	8.1
Output rated power (100%)	A	3.0
Weight	kg	1.0
Mark of conformity	CE U	
Protection class I	⊕	

Article No. 117.359 frequency converter FC 550