

LEISTER

PROCESS HEAT

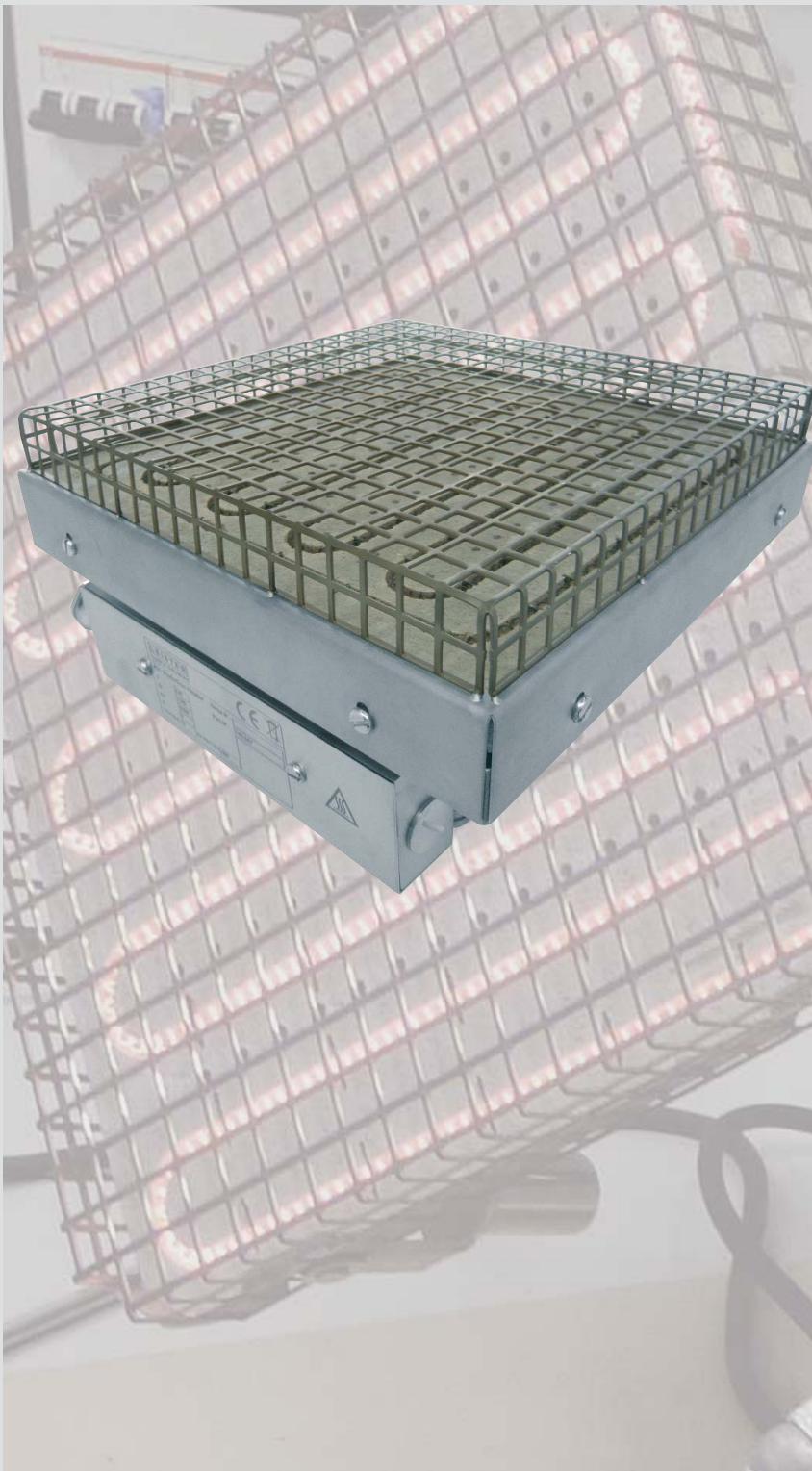
AIR RADIATION HEATER

The IR Radiation
« nozzle » for your
Leister air heater



A nifty combination: the AIR RADIATION HEATER from Leister

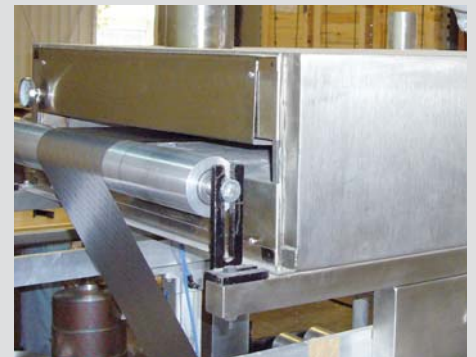
By combining heat absorption and heat convection, the new AIR RADIATION HEATER from Leister takes large-area drying and targeted heat input applications to next level. Its external, optional temperature regulation allows for the specific fine tuning of the heat applied to the material. On request, the infrared heater comes in combination with hot or ambient air, supplied by a Leister air heater. The AIR RADIATION HEATER is designed to maximize your heating process in terms of energy efficiency resulting in higher productivity.



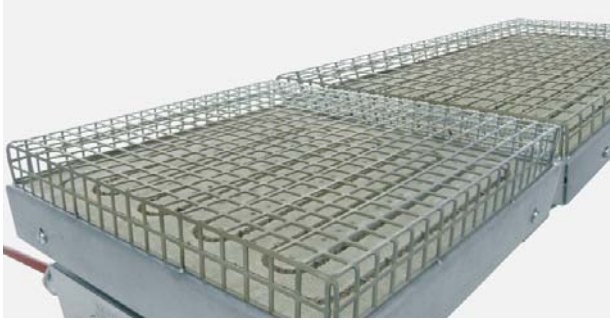
Typical Applications

Leister's AIR RADIATION HEATER can be used in dozens of different applications. Typical applications for radiation heating include:

- Drying
- Shrinking
- Forming
- Activating
- Pre-heating
- Curing



Drying tunnel with integrated AIR RADIATION HEATER.



Side-by-side combination.

Either hot air or ambient air and radiation heating can be used.

Features

- IR radiation is effectively absorbed by most materials
- Designed for continuous operation in industrial environments
- The small heater footprint allows integration into small spaces in machines
- Standalone operation without air supply is possible
- Can be used to evacuate humid air in drying processes by reversing the airflow through the AIR RADIATION HEATER
- Modular design allows multiple AIR RADIATION HEATERS to be used to cover large areas
- Ideal in combination with either hot air or ambient air and radiation

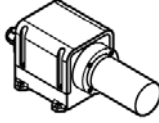
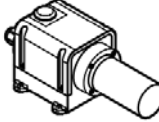
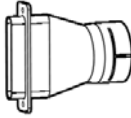
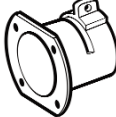

Technical data

Max air inlet temp	°C	400
Max ambient temp	°C	80
Relative humidity	%	5 – 95, non condensing
Wave length	µm	approx 2.2 – 4
Medium wave length	µm	2.8
Response time	sec	< 15
Power rating	W	1500
Voltage	V ~	230
Dimensions	mm	248 x 248 x 128
Weight	kg	3.0
Conformity		CE
Certification		CCA

Order number:

140.547 AIR RADIATION HEATER

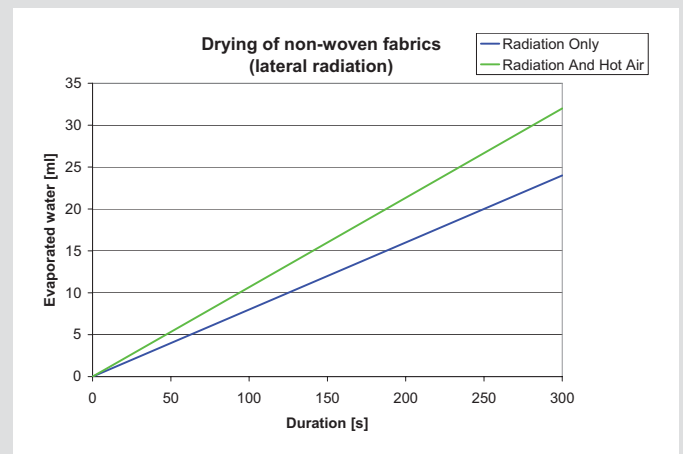
Accessories AIR RADIATION HEATER

118.578		Air heater LHS CLASSIC 40S 230V / 2 kW
132.035		Air heater LHS PREMIUM 40S 230V / 3.6 kW
142.451		Wide slot (lateral air inlet) flange connector
107.254		Round (rear air inlet) flange connector
103.507		Blower SILENCE

Increase in efficiency



Combination of AIR RADIATION HEATER and air heater LHS 40S



Increase of evaporation for non-woven fabrics

Headquarters:

Leister Process Technologies
Galileo-Strasse 10
CH-6056 Kaegjswil/Switzerland
phone: +41 41 662 74 74
fax: +41 41 662 74 16
leister@leister.com
sales@leister.com

Leister Technologies LLC
1253 Hamilton Parkway
Itasca, IL 60143/USA
phone: +1 630 760 1000
fax: +1 630 760 1001
sales@leisterusa.com

Leister Technologies Ltd.
Building A, 1588 Zhuanxing Road
Shanghai 201 108 PRC
phone: +86 21 6442 2398
fax: +86 21 6442 2338
leister@leister.cn

Leister Technologies KK
Shinyokohama Bousei Bldg 1F
3-12-20, Shinyokohama, Kohoku-ku,
Yokohama 222-0033
phone: +81 (45) 477 3637
fax: +81 (45) 477 3638
sales-japan@leister.com

Our close worldwide network of more than 120 Sales and Service Centers in more than 90 countries.

Europe:

Austria
Belgium
Bulgaria
Croatia
Cyprus
Czech Republic

Estonia

Denmark
Finland
France
Germany
Great Britain
Greece

Hungary

Ireland
Iceland
Italy
Latvia
Lithuania
Netherlands

Normay

Poland
Portugal
Romania
Russia
Serbia
Slovakia

Slovenia

Spain
Sweden
Switzerland
Turkey
Ukraine



Your Leister Sales and Service Centre: