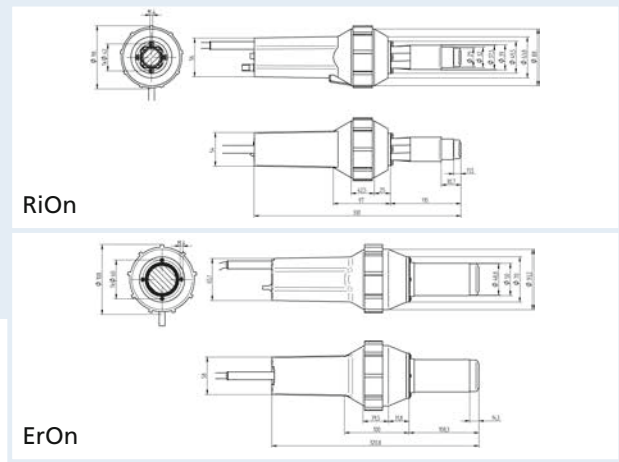


# RION BL, ERON BL



Technical data		RiOn BL	ErOn BL
Order no.		6600185	6600189
Voltage	V	230	230
Capacity	W	1600	3400
Frequency	Hz	50/60	50/60
Temperature	°C	20–650	20–650
Air flow	l/min	approx. 250	approx. 600
Static pressure	Pa	approx. 3000	approx. 3000
Emission	dB	64	64
Measurements	mm	100x340, handle Ø 56	320x94, handle Ø 64
Weight incl. cable	kg	1,3	1,5
Conformity marking	CE		

Because of the self-developed brushless motor these tools are completely maintenance free and suitable for continuous operation. Therefore they are the perfect tools to build in machines.

Accessories RiOn BL	
Order no.	Description
5100303	Tubular nozzle (Ø 32mm) Ø 5 mm
5107123	Wide slot nozzle (Ø 32mm) 20 mm
5107132	Wide slot nozzle (Ø 32mm) 40 mm
5107124	Angled nozzle (Ø 32mm) 20mm, 90°
5107125	Angled nozzle (Ø 32mm) 20mm, 60°

Accessories ErOn BL	
Order no.	Description
5107254	Connection flange Ø 50 mm
5107258	Wide slot nozzle (Ø 50mm) 70x10 mm
5107270	Wide slot nozzle (Ø 50mm) 150x12 mm
5107256	Angled nozzle (Ø 50mm) 160x100 mm

### Standard equipment

- Variable temperature setting
- Integrated tool protection

### Special version

- External controller for heat (analog or digital)
- External controller for air flow (analog or digital)
- Analysis of motor speed
- Integrated thermocouple
- Integrated digital controller

Special accessories and external control are available on request.

Equipment with different voltage and wattage are available on request.