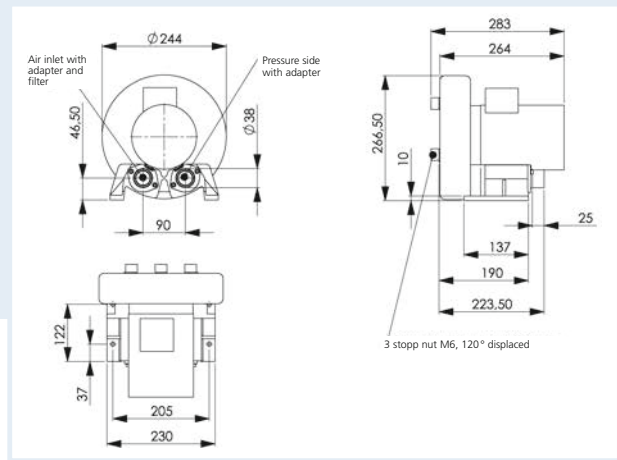


High-pressure blower

HD140

1,45 m³/min – 14 000 Pa



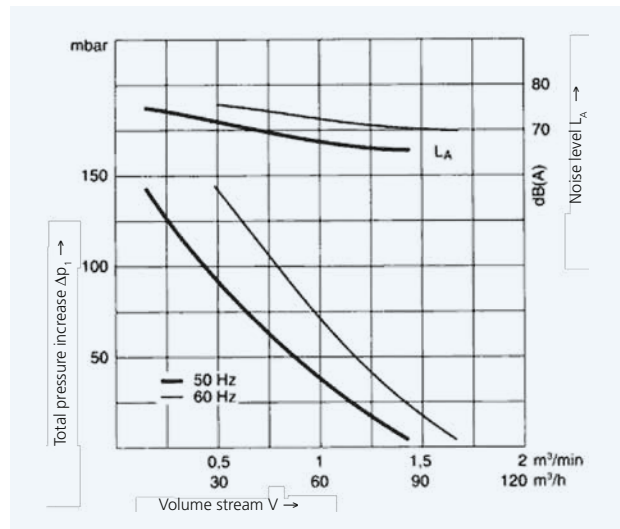
Technical data

Order no.	5103429			Design	Side channel blower			
Volumetric current	Total pressure difference	Voltage	Frequency	Current consumption	Speed	Motor power	Noise pressure level	Weight
m ³ /min	Pa	V	Hz	A	rpm	kW	LpA (db)	kg
1,45	14 000	3 x 230 – 440	50	1,1 – 2,45	2825	0,44	65	11,3
1,70	14 000	3 x 230 – 480	60	1,2 – 2,25	3410	0,56	70	11,3

Inlet port	Ø 38 mm (exterior)
Outlet port	Ø 38 mm (exterior)
Dimensions (l x w x h)	283 x 244 x 266,5
Ambient temperature	–20 °C to +60 °C
Type of protection	IP 54
Optionally 1 x 230 V	Capacitor 230 V; 40 µF/V

Accessories

Order no.	Description
5108623	Capacitor kit 1 x 230 V
5107293	Hose coupling Ø 36 mm, 2 outlets Ø 36 mm
5107298	Hose coupling Ø 36 mm, 2 outlets Ø 19 mm
5107286	Air hose Ø 38 mm
5107287	Hose clip 38 mm
5107350	Air hose Ø 19 mm
5107290	Hose clip 19 mm



In the blowers, a stainless steel filter is standard at the intake connection.

Special accessories on request.