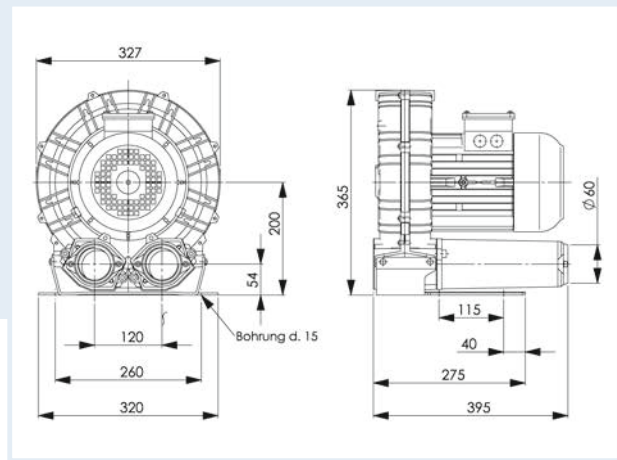
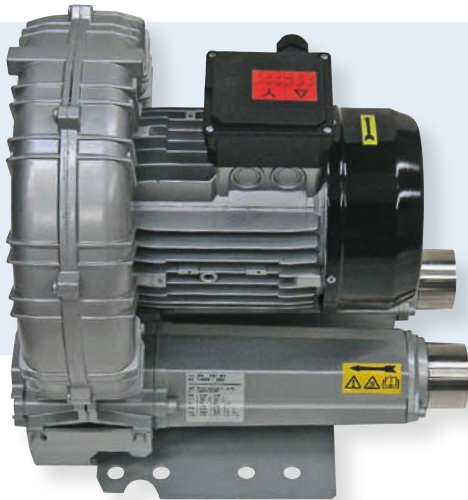


## High-pressure blower

# HD240

3,65 m<sup>3</sup>/min – 27 000 Pa



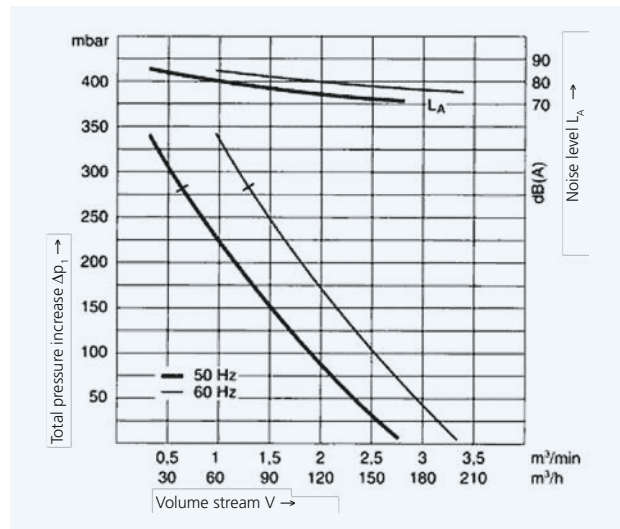
### Technical data

Order no.	5100200		Design	Side channel blower				
Volumetric current	Total pressure difference	Voltage	Frequency	Current consumption	Speed	Motor power	Noise pressure level	Weight
m <sup>3</sup> /min	Pa	V	Hz	A	rpm	kW	LpA (db)	kg
3,65	27 000	3 x 230–400	50	5,1	2900	2,20	68,8	26,5
4,42	26 000	3 x 460	60	5,1	3500	2,55	70,8	26,5

Inlet port	Ø 60 mm (exterior)
Outlet port	Ø 60 mm (exterior)
Dimensions (l x w x h)	397 x 327 x 365
Ambient temperature	–20 °C to +60 °C
Type of protection	IP 54

### Accessories

Order no.	Description
5107278	Hose coupling Ø 60 mm, 2 outlets Ø 60 mm
5107291	Hose coupling Ø 60 mm, 1 outlet Ø 38 mm
5107293	Hose coupling Ø 36 mm, 2 outlets Ø 36 mm
5107288	Air hose Ø 60 mm
5107285	Hose clip 60 mm
5107286	Air hose Ø 38 mm
5107287	Hose clip 38 mm



In the blowers, a stainless steel filter is standard at the intake connection.

Special accessories on request.