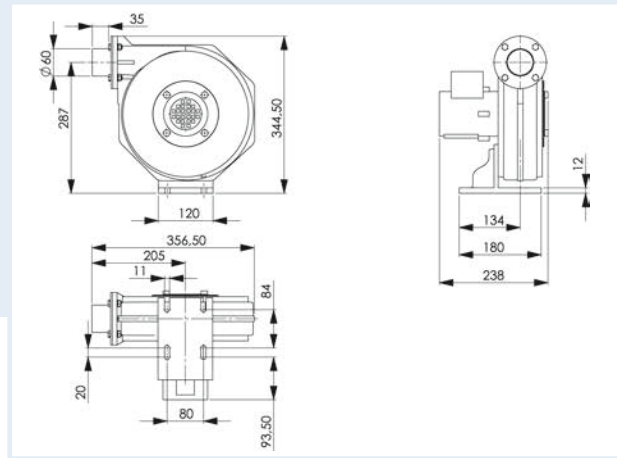


## Medium-pressure blower

# MD10

4,9 m<sup>3</sup>/min – 1000 Pa



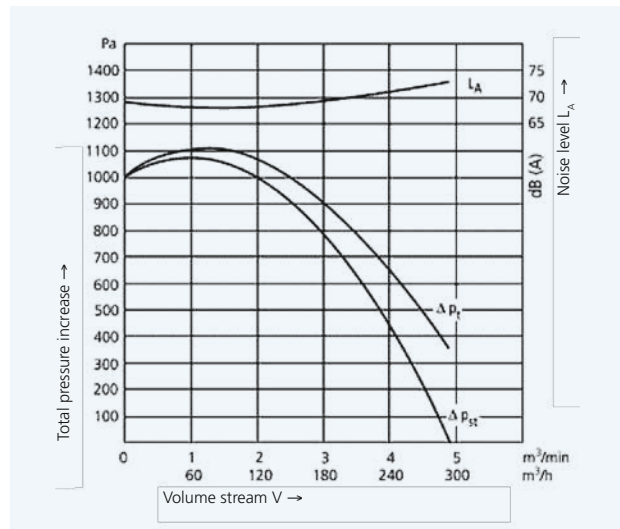
### Technical data

Order no.	5103507		Design	Centrifugal blower				
Volumetric current	Total pressure difference	Voltage	Frequency	Current consumption	Speed	Motor power	Noise pressure level	Weight
m <sup>3</sup> /min	Pa	V	Hz	A	rpm	kW	LpA (db)	kg
4,9	1000	3 x 200–480	50	0,26–0,48	2750	0,075	73	8,5
5,2	1200	3 x 200–480	60	0,32–0,59	3120	0,14	76	8,5

Inlet port	Ø 70 mm
Outlet port	Ø 60 mm (exterior)
Dimensions (l x w x h)	231 x 356,5 x 344,5
Ambient temperature	–20 °C to +60 °C
Type of protection	IP 54
Optionally 1 x 230 V	Capacitor 230 V; 8 µF/V

### Accessories

Order no.	Description
5110887	Capacitor kit 1 x 230 V
5107278	Hose coupling Ø 60 mm, 2 outlets Ø 60 mm
5107291	Hose coupling Ø 60 mm, 1 outlet Ø 38 mm
5107293	Hose coupling Ø 36 mm, 2 outlets Ø 36 mm
5107288	Air hose Ø 60 mm
5107285	Hose clip 60 mm
5107286	Air hose Ø 38 mm
5107287	Hose clip 38 mm



In the blowers, a stainless steel filter is standard at the intake connection.

Special accessories on request.