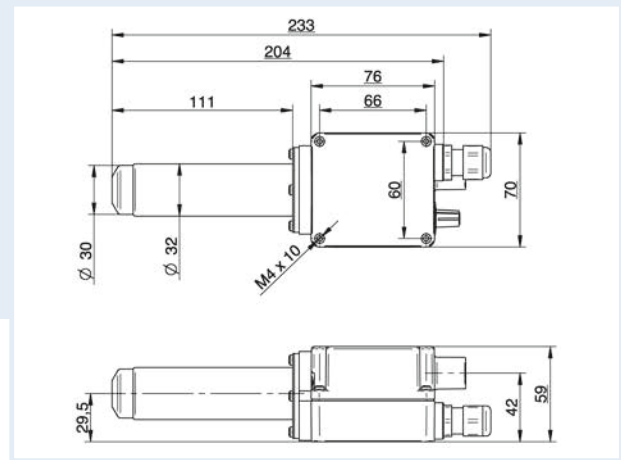
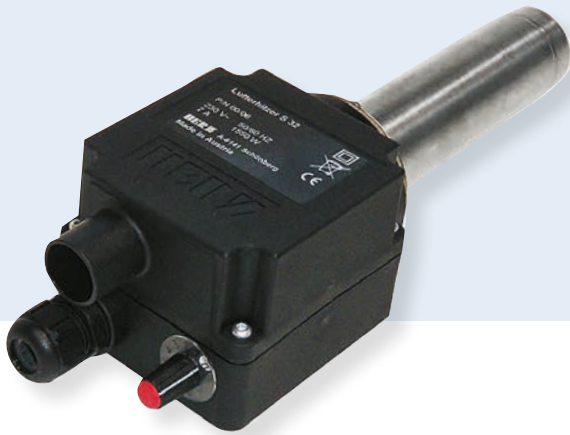


## Air heater

# S32

from 1550–2000 watt



### Technical data

Order no.		5101340	5101355	5101357
Voltage	V	230	230	230
Power	W	1000	1550	2000
Frequency	Hz	50/60	50/60	50/60
Max. temperature	°C	650	650	650
Min. air flow	l/min	170	230	430
Air connection	Ø mm	19	19	19
Air outlet	Ø mm	16	16	16
Dimensions	mm (l x w x h)	233 x 70 x 59	233 x 70 x 59	233 x 70 x 59
Weight	kg	0,4	0,4	0,4
Protection class II		☐		
Marking		CE		

### Accessories

Order no.	Description
5100303	Tubular nozzle (Ø 32 mm) Ø 5 mm
5105475	Wide slot nozzle (Ø 32 mm) 20x2 mm

Different voltage, wattage and special versions, such as external activation via controller or SPS possible.

Special accessories on request.