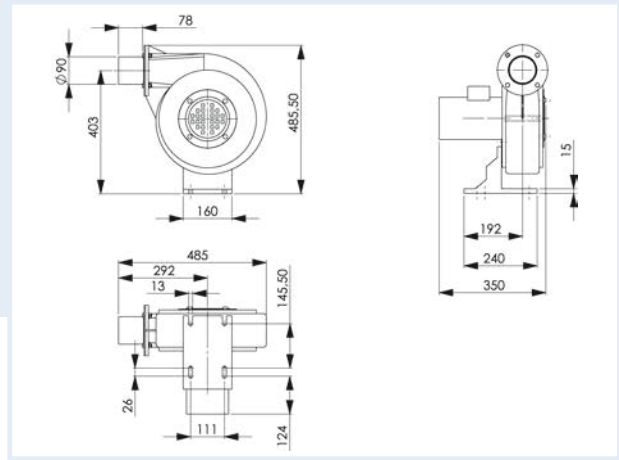


## Medium-pressure blower

# MD14

16,5 m<sup>3</sup>/min – 1400 Pa



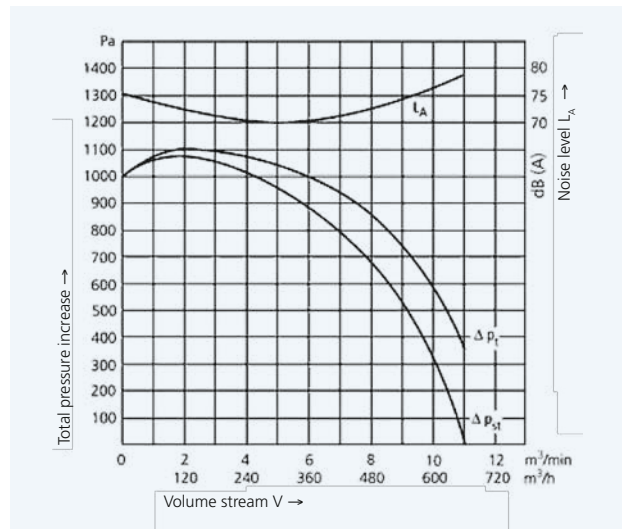
### Technical data

Order no.	5103527			Design	Centrifugal blower			
Volumetric current	Total pressure difference	Voltage	Frequency	Current consumption	Speed	Motor power	Noise pressure level	Weight
m <sup>3</sup> /min	Pa	V	Hz	A	rpm	kW	LpA (db)	kg
16,5	1400	3 x 200–480	50	0,9–2,6	2825	0,37	76	17,0
19,5	2000	3 x 200–480	60	1,15–2,25	3340	0,55	77	17,0

Inlet port	Ø 125 mm
Outlet port	Ø 90 mm (exterior)
Dimensions (l x w x h)	345 x 485 x 485,5
Ambient temperature	–20 °C to +60 °C
Type of protection	IP 54
Optionally 1 x 230 V	Capacitor 230 V; 30 µF/V

### Accessories

Order no.	Description
5103523	Capacitor kit 1 x 230 V
5107238	Hose coupling Ø 90 mm, 2 outlets Ø 60 mm
5107278	Hose coupling Ø 60 mm, 2 outlets Ø 60 mm
5107291	Hose coupling Ø 60 mm, 1 outlet Ø 38 mm
5107293	Hose coupling Ø 36 mm, 2 outlets Ø 36 mm
5107288	Air hose Ø 60 mm
5107285	Hose clip 60 mm
5107286	Air hose Ø 38 mm
5107287	Hose clip 38 mm



In the blowers, a stainless steel filter is standard at the intake connection.

Special accessories on request.